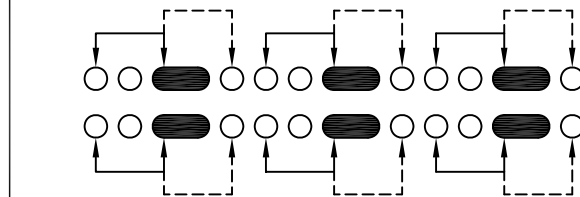
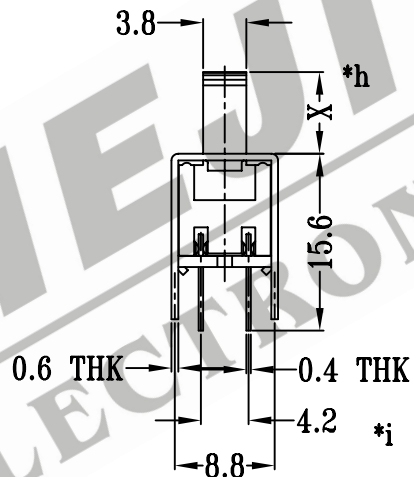
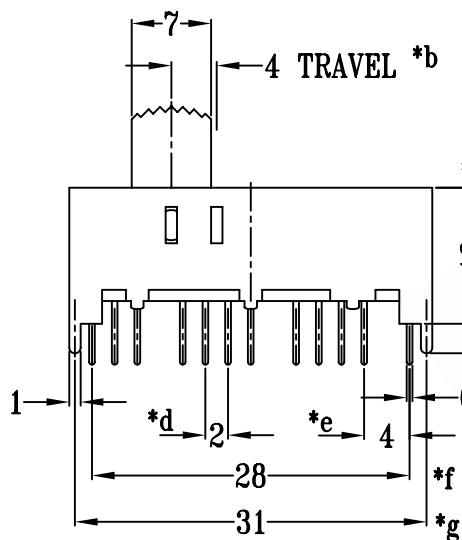
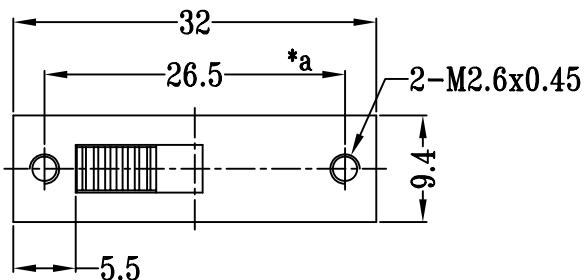
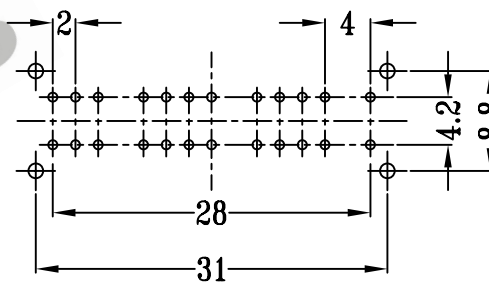


CAD FILE:



**SCHEMATIC (NON-SHORTING)**



**P.C.B LAYOUT**

注:带\*表示关键尺寸(9个)

8					TOLERANCE UNLESS SPECIFIED	SHENZHEN XIEJIA ELECTRONICS CO.,LTD.				
7	STEEL BALL	STEEL	2	NATURAL						
6	SPRING	STEEL WIRE	1	TEMPER	WITHIN : 1.5±0.1mm	ISSUE	DATE	DESCRIPTIONS		APPD.
5	CONTACT CLIP	PBS STRIP	6	Ag PLATED	OVER : 1.5±0.2mm					
4	TERMINAL	BRASS STRIP	24	Ag PLATED OVER Ni PLATED	TITLE : VERTICAL SLIDE SWITCH		UNIT : MM	DRWG NO.: XJ-DR-SS62H01-00		
3	BASE	PHENOLIC RESIN	1	NATURAL	MODEL: SS-62H01		SCALE: 3 : 2	DWN.	ZHOUYU	2002-4-22
2	FRAME	STEEL STRIP	1	Ni PLATED	ALL MATERIALS MUST BE COMPLIANT TO ROHS			CHK'D	FANGYING	2002-4-22
1	KNOB	POM	1	BLACK			APPD.	KANGXINAN	2002-4-22	
NO.	PART NAME	MATERIAL	Q'TY	FINISHING						